



# EDGE | s |

MULTI-SLIDE & POCKET DOOR

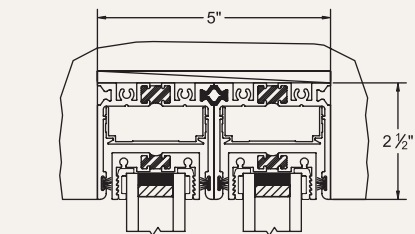


## CONFIGURATIONS

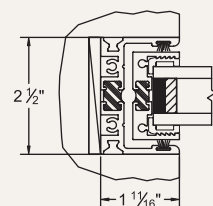
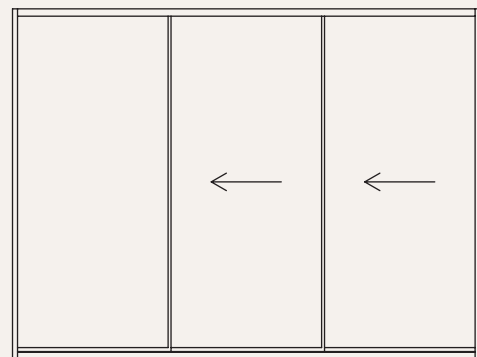
Virtually Unlimited Multi-Slide, Pocket, and Corner Applications.

↔ MAX PANEL WIDTH	↕ MAX FRAME HEIGHT	☀ EXAMPLE SHGC	❄ EXAMPLE U-FACTOR
10'	15'	<sup>2</sup> NFRC 0.26	<sup>3</sup> S.P.A. 0.26
		<sup>2</sup> NFRC 0.31	<sup>3</sup> S.P.A. 0.25

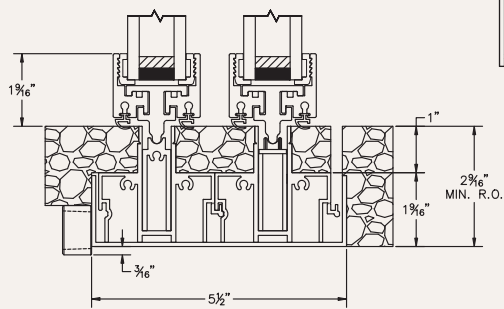
Elevation View:  
OXX Configuration



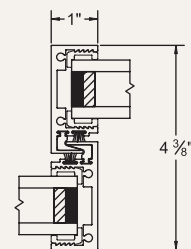
Head



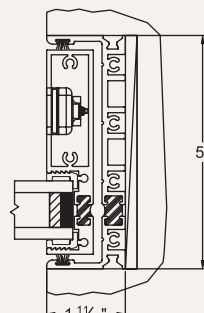
Jamb



Standard Sill w/ Arche-Duct



Interlocker



Fin-Jamb

<sup>1</sup>Max width and height are not necessarily available in combination.

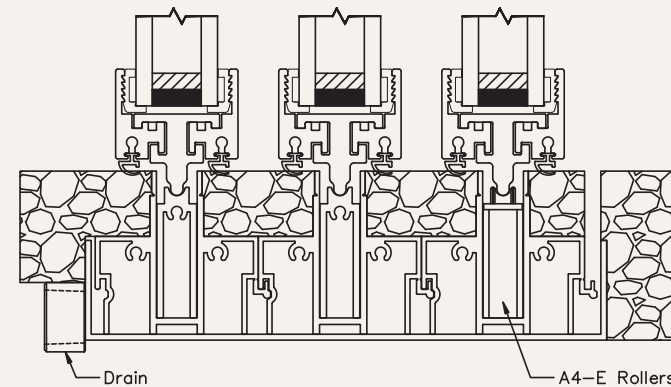
<sup>2</sup>Specimen size: 79" x 79".

<sup>3</sup>Specimen size: 216" x 144" OXX.



## INVERTED ROLLER

The EDGE | s | uses a procession of rollers below the finished floor. Each removable roller contains a series of 2" diameter stainless-steel wheels positioned every 6". Every wheel is fitted with certified precision bearings.



## WATER PERFORMANCE

The EDGE | s | sub-floor drain far exceeds residential water performance needs and the continuous floor blurs the barrier to the outdoors. Easy maintenance of the rollers makes the EDGE | s | the most practical door in its class.



## "BEST IN-CLASS" BOTTOM RAIL

The EDGE | s | bottom rail is pure Archetype genius. Strength is achieved through an extruded stainless-steel rail which glides on 2" stainless-steel rollers. Competing products offer a miniscule roller that is fraught with operational challenges.

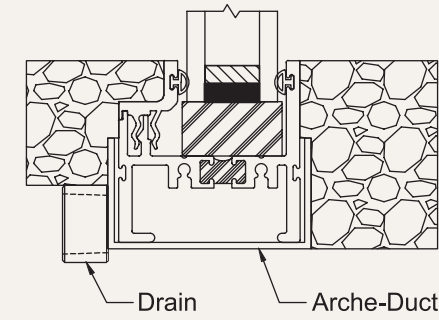


## THE ONLY ZERO-EDGE

The EDGE | s | is the only door in its class with a flow-through wall at both jambs. This is achieved using the Archetype Blade locking system, where a stainless-steel latch is mortised in the vertical and lowers a Blade into a stainless-steel Case buried in the finished floor.

# EDGE | f |

FIXED WINDOW



## HIDDEN WATER PERFORMANCE

The concealed Arche-Duct draining system handles high-rise water performance with three sill options. The factory provides drains 8" from each jamb and at the center.



## MINIMAL PRESENTATION

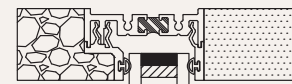
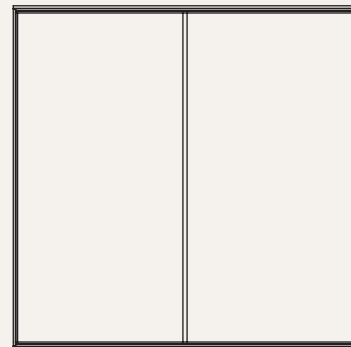
The EDGE | f | is a zero-edge system allowing the ceiling, floor and walls to flow through the glass. The optional Fin provides added wind-load support and the dimensions perfectly complement the EDGE | s |.

### CONFIGURATIONS

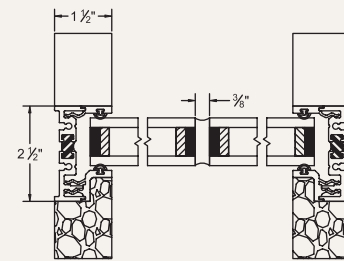
■ Virtually Unlimited In-Line.

↔ MAX PANEL WIDTH	↑ MAX FRAME HEIGHT	☀ EXAMPLE SHGC	❄ EXAMPLE U-FACTOR
Determined by Site Wind Loads	Determined by Site Wind Loads	0.26 <sup>2</sup> NFRC	0.25 <sup>2</sup> NFRC

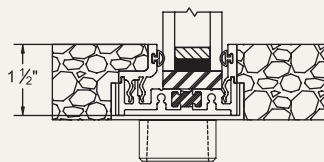
Elevation View:  
OO Window



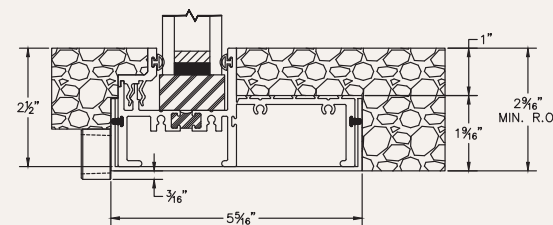
Narrow Head



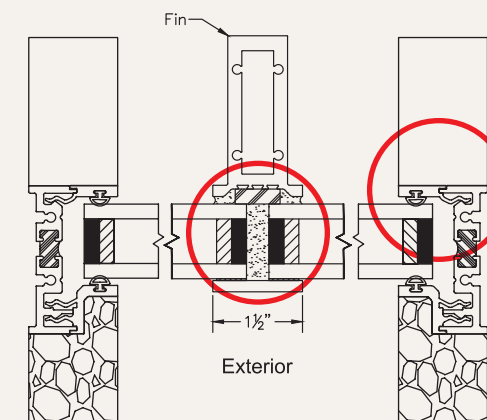
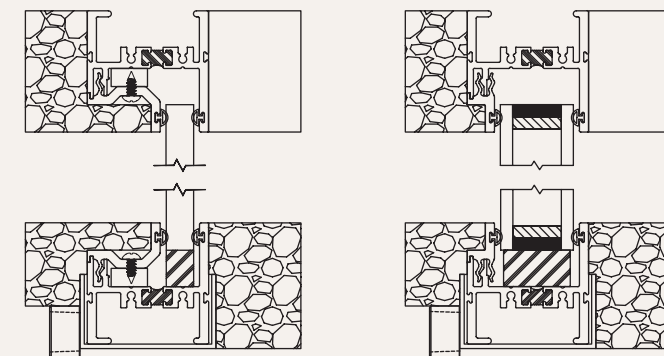
Jamb / Butt Glaze / Jamb



Low Profile Sill w/ Arche-Duct



Standard Sill w/ Arche-Duct



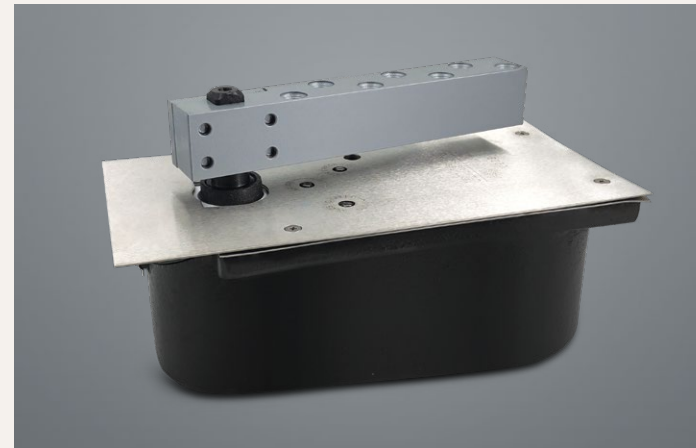
## GLASS DEPTHS & SIZES

Customers may choose between three different Glass Stop depths (3/16", 1-1/4" or 1-1/2"). All three expose a minimal 3/16" interior shelf for consistency.

## GLASS REPLACEMENT

Similar systems on the market, e.g. channel glazed, require extensive demolition to change the glass. In contrast, NO damage to the opening finishes is required if a Fin or butt joint exists. For single lite configurations, only 1" of interior wall needs to be removed from each side to expose the Wedge.

<sup>2</sup>Specimen size: Nom. 47" x 59".



### MASSIVE GLASS

The EDGE | p | allows for incredible sizes with a minimal reveal, delivering big in both function and form. Think 15-foot-tall, 1000-pound panels, with a virtually nonexistent frame and effortless one-finger push operation.

### LUXURY HARDWARE

EDGE | p | is equipped with electronic V-Locks and the EDGE Collection's signature Archetype Blade locking hardware, both of which are flush and concealed from elevation view. The door comes standard with a Rixson Floor Closer and 90-degree hold open, but can also incorporate automation that synchronizes with the electronic locks to create a truly touch-free experience and integration with smart home systems.

### MINIMAL SIGHTLINES

The newest addition to the EDGE Collection is by far our most minimal entry door with all exposed framing less than 2 inches. The EDGE | p | is the only swing door on the market to feature a 'zero-edge' jamb with wall finishes that continue directly through the glass line.

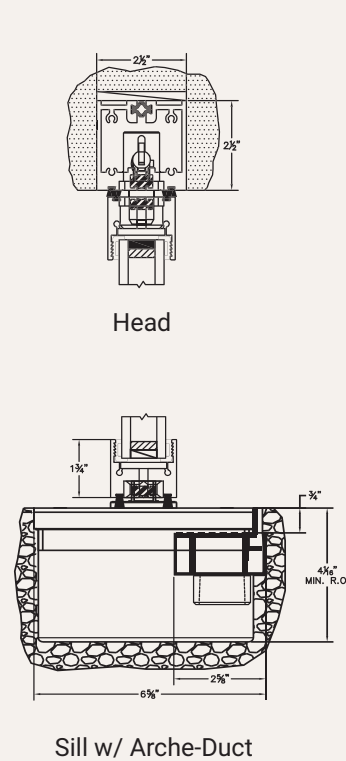
### PERFORMING FLOW-THROUGH SILL

The EDGE | p | features Fleetwood's proprietary Arche-Duct draining system with a slim linear drain that runs jamb to jamb, providing ample weather performance and letting the finished floor become the sill. The drain is optional if the door is protected, allowing the flooring material to run through the opening uninterrupted.

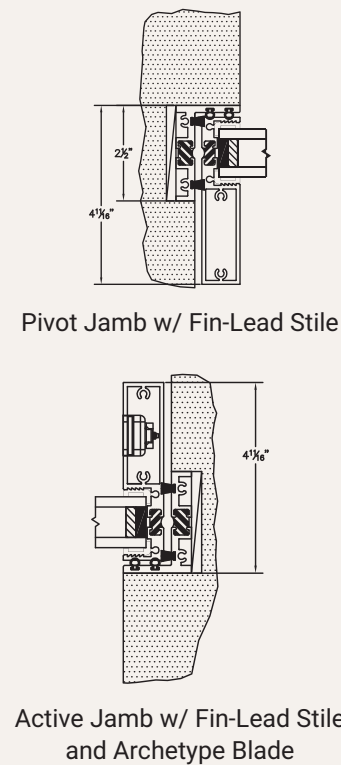
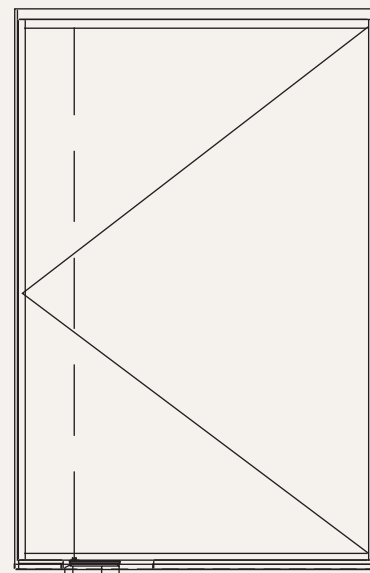
#### CONFIGURATIONS

■ H

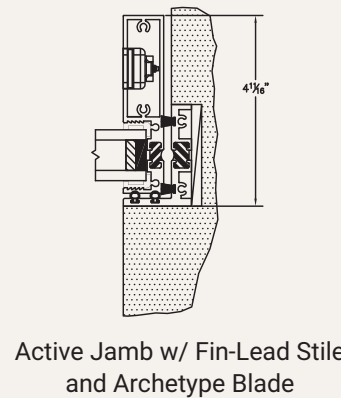
← MAX PANEL WIDTH	↑ MAX FRAME HEIGHT	☀ EXAMPLE SHGC	❄ EXAMPLE U-FACTOR
13'4"	15'	0.25 NFRC	0.30 NFRC



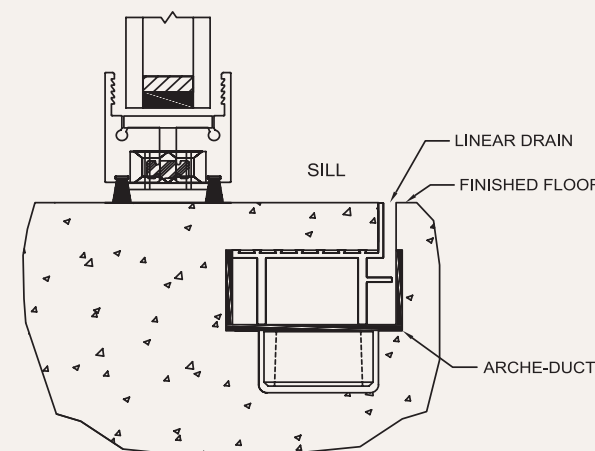
Elevation View:  
H Configuration



Pivot Jamb w/ Fin-Lead Stile



Active Jamb w/ Fin-Lead Stile and Archetype Blade



<sup>1</sup>Max width and height are not necessarily available in combination.

<sup>2</sup>Specimen size: 38" x 82".



**Fleetwood Windows & Doors**

1 Fleetwood Way, Corona, CA 92879  
P.O. Box 1086, Corona, CA 92878-1086

800.736.7363  
951.279.1070

[www.FleetwoodUSA.com](http://www.FleetwoodUSA.com)  
[Sales@FleetwoodUSA.com](mailto:Sales@FleetwoodUSA.com)

DISTRIBUTED BY:

